

# MODEL TL-2135

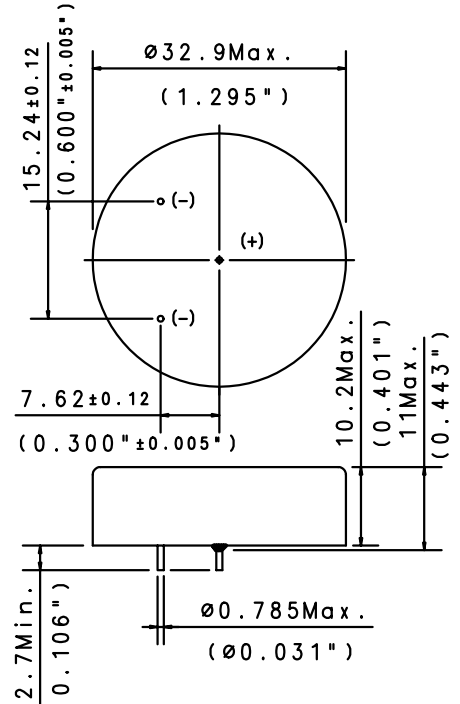
International size reference: 1/6D, ER32L100

## TECHNICAL DATA

(Typical values @+25°C for batteries stored for one year or less)

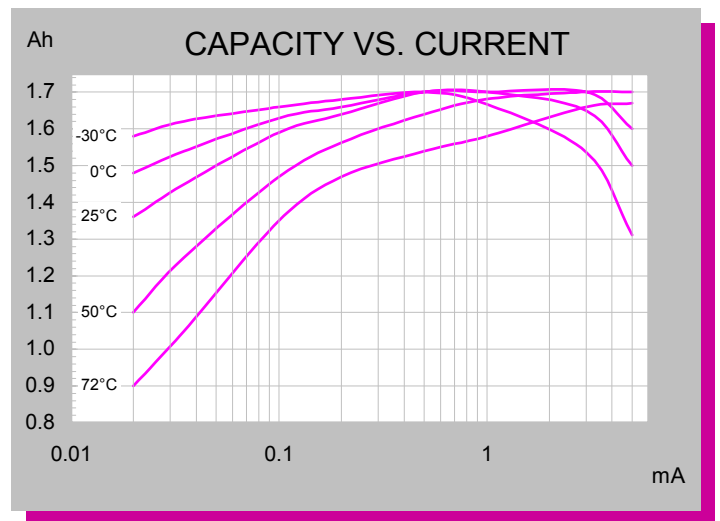
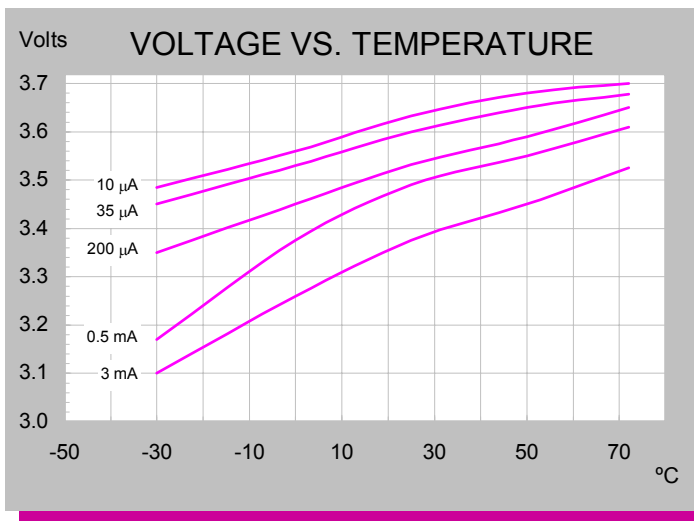
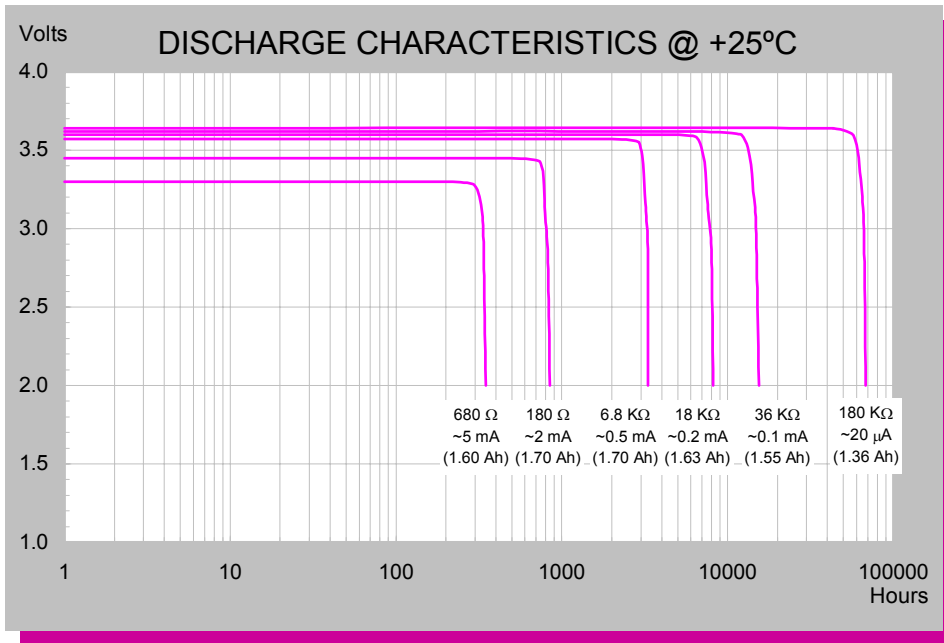
■ Nominal capacity @ 0.5 mA, to 2V	1.7 Ah
■ Rated voltage	3.6 V
■ Maximum recommended continuous current	10 mA
■ Maximum pulse current capability	50 mA
■ Weight	21.5g (0.758 oz)
■ Volume	8.2 cc
■ Operating temperature range	-55°C to +85°C
■ U.L. Component Recognition, MH 12193	

# TADIRAN LITHIUM BATTERIES



### ADDITIONAL INFORMATION

TERMINAL MATERIAL : TIN PLATED NICKEL  
 CATALOGUE NO. : 15-5135-41500



# LITHIUM XTRA

Note: Any presentations in this data sheet concerning performance are for information purpose only and are not construed as warranties either expressed or implied, of future performance. Rev. D 05/03