

MODEL TL-2134

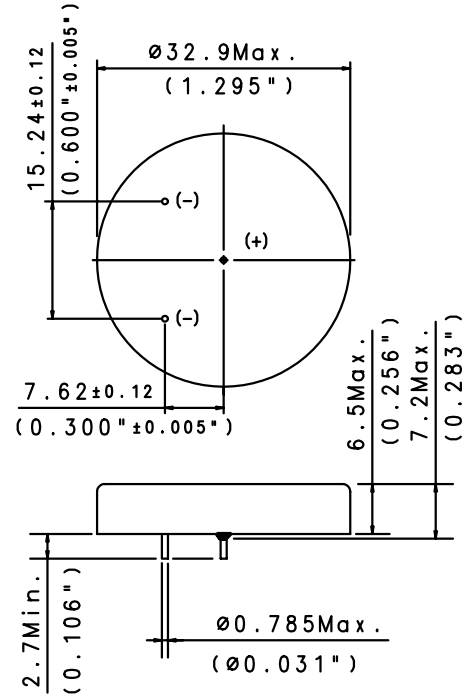
International size reference: 1/10D, ER32L65

TECHNICAL DATA

(Typical values @+25°C for batteries stored for one year or less)

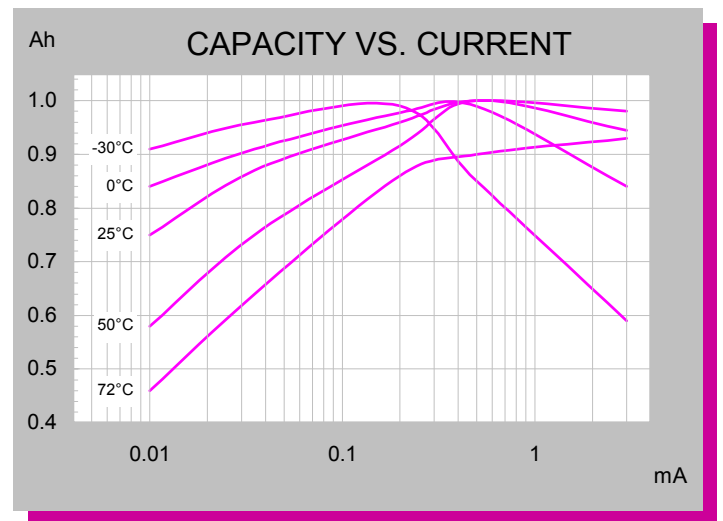
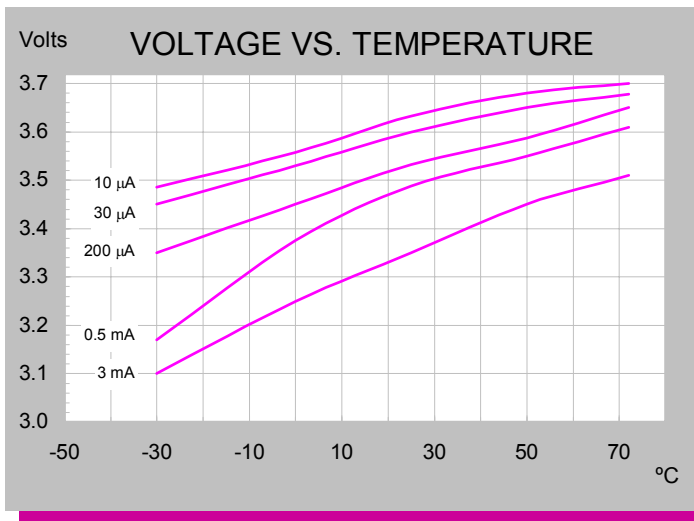
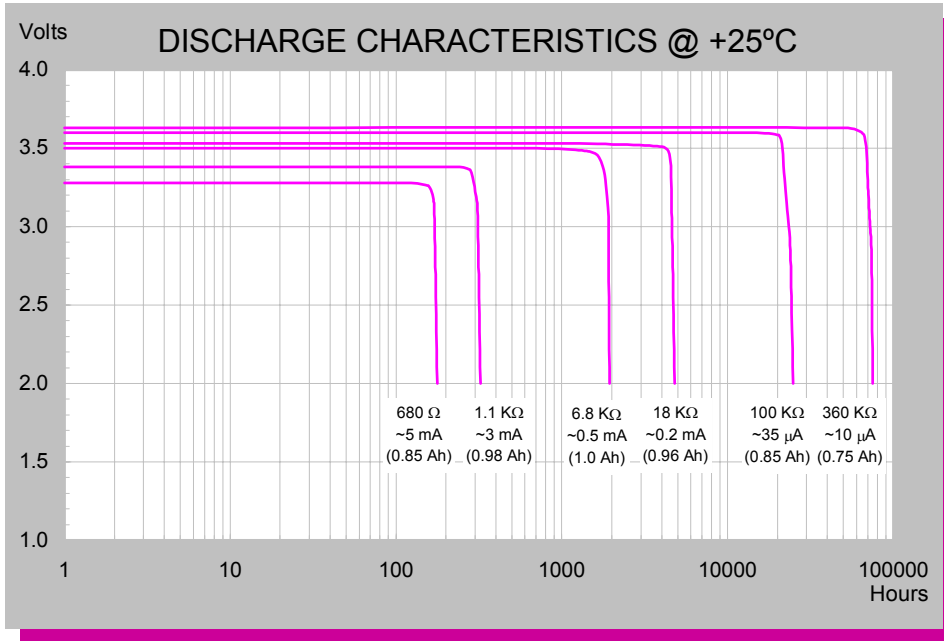
- Nominal capacity @ 0.5 mA, to 2V 1 Ah
- Rated voltage 3.6 V
- Maximum recommended continuous current 10 mA
- Maximum pulse current capability 50 mA
- Weight 16.8g (0.59 oz)
- Volume 5 cc
- Operating temperature range -55°C to +85°C
- U.L. Component Recognition, MH 12193

TADIRAN LITHIUM BATTERIES



ADDITIONAL INFORMATION

TERMINAL MATERIAL : TIN PLATED NICKEL
CATALOGUE NO. : 15-5134-41500



LITHIUM XTRA

Note: Any presentations in this data sheet concerning performance are for information purpose only and are not construed as warranties either expressed or implied, of future performance.

Rev. D 05/03